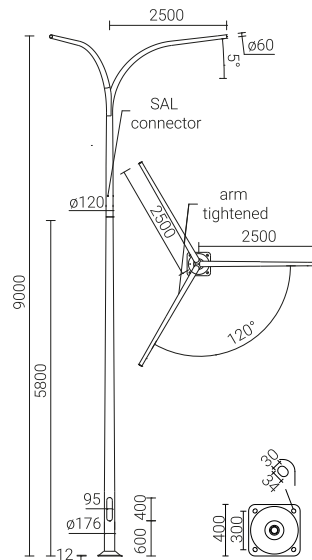


Aluminium column SAL-9 Wł 3/2,5/3,2/5



176 mm at the base plate



TECHNICAL DATA

Anodising	10 colours
Luminaire mounting	directly on the extension arm, luminaires with $\phi 60$ mm mounting with weight and surface parameters not exceeding the data from the strength table included in the technical data sheet
Packing	sleeve material
Levels of energy absorption according to EN 12767:2019	50-NE-C-S-SE-MD-0, 70-NE-C-S-SE-MD-0, 100-NE-C-S-SE-MD-0
Diameter at the base plate	176 mm
Finish	brushed anodised aluminium, option of elastomer protection in column's colour up to a height of 350 mm (other height on customer's request)
Ingress protection	IP54 for wire chamber

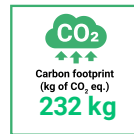


TABLE OF TYPES

Code	Symbol	Height of the column [H]	Unit volume	Concrete footing / reinforcement basket type	Concrete footing / reinforcement basket code	Fasteners	Net weight
42427/C...	SAL-9 Wł 3/2,5/3,2/5	9 m	1.43 m ³	B-70 / Z-70	311170 / 311207	4012	68.9 kg

STRENGTH TABLE

SAL-9 Wł 3/2,5/3,2/5	Acceptable windage of single luminaire [m 2] for Cx=0,7			
code 42427	Vref. = 22 m/s	Vref. = 24 m/s	Vref. = 26 m/s	Vref. = 28 m/s
Permissible weight of a single luminaire	I zone, III Field category up to	I & III zone, III Field category up to 450m by s.I	II zone, III Field category up to	III zone, III Field category up to 755m by s.I
15	0,25	0,18	x	x

