



TECHNICAL DATA

Assembly	installed on the aluminium rail on the back wall of the column using two M6 bolts
Ingress protection	IP 54
Material	integrated terminal strip – made of PTB material (butylene polyterephthalate), with high insulation parameters and high mechanical resistance; connection cover and clamp/cable protection – made of transparent polycarbonate; connection box base – made of polycarbonate reinforced by fibre glass, cable opening/outlets are protected with gaskets
Number of fuse-sockets	Two fuse-socket mounted on two phases L1 and L2
Description	<p>Connection box with four-wire for feeder cables with cross-section:</p> <ul style="list-style-type: none"> 4 x 10 mm² to 4 x 35 mm² for Cu 4 x 16 mm² to 4 x 35 mm² for Al <p>Cross-section of output cables (for powering the luminaire)</p> <ul style="list-style-type: none"> - two cables max. 3 x 2.5 mm² - max. 2 cables - simplified installation of cables ensure easier and more ergonomic operation - smaller size provides more opportunities of applications - the possibility of moving the fuse-sockets

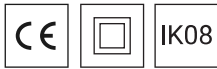
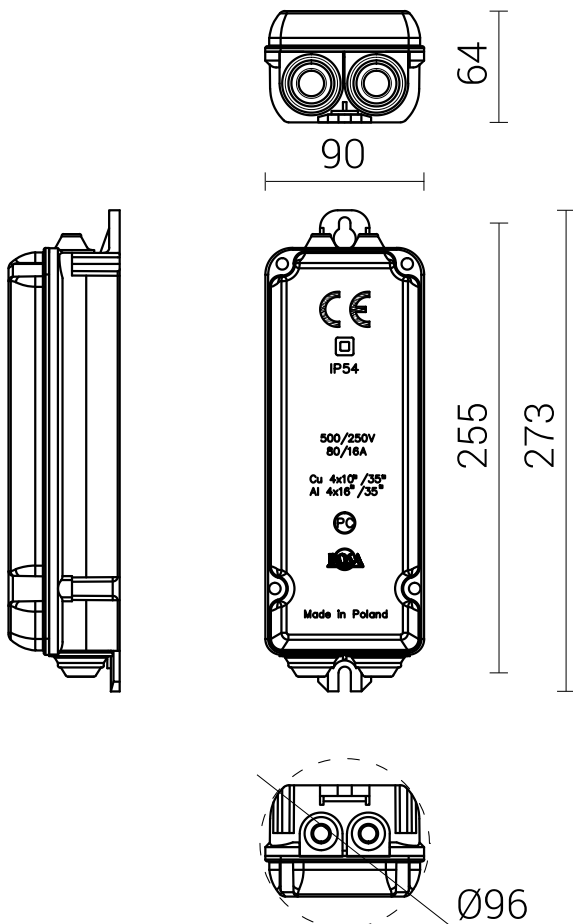


TABLE OF TYPES

Code	Symbol	Unit volume	Fuse sockets quantity	Protection class	Rated insulation voltage	Withstand stroke voltage rating	Rated current	Net weight
324012	TB-12	0.002 m ³	2	II	500V	6 kV	80A	0.74 kg

DIRECTIVES: 2014/35/UE (Dz. Urz.UE L 96, 29.03.2014, str.357), 2011/65/UE (Dz. Urz.UE L 174, 01.07.2011, str.88)

STANDARDS: PN-EN 60529: 2003, PN-EN 50102: 2001, PN-EN 61439-1: 2011, PN-EN 61439-2: 2011



Fuse-link D01

Fuse-link typej	Code	Weight
D01/E14 6A	322006	0,01kg
D01/E14 10A	322010	0.01kg
D01/E14 16A	322016	0.01kg